

# THALES



## BUSHMASTER

Outstanding crew protection and mobility

[www.thalesgroup.com.au](http://www.thalesgroup.com.au)

## >> BUSHMASTER DESIGNED FOR EXPEDITIONARY OPERATIONS

### > Origin

Thales Australia's Bushmaster\* is specially designed to rapidly deploy battle-ready troops in all field conditions.

Australian forces demanded a highly mobile infantry vehicle providing significant troop protection, all-terrain agility and expeditionary capacity. High level crew comfort and mobility ensure rapid deployment and delivery of battle-ready troops to critical areas. Bushmaster is the latest generation of High Mobility Infantry Protected vehicles.

### > Adaptability

Bushmaster's monocoque structure provides a solid platform for an integrated personnel protection system which simply adapts to a



range of battlefield and peacekeeping applications. Roof mountings to fix a remote weapons station, light cannon and smoke grenades transform Bushmaster into a highly effective Armed Personnel Carrier.

The vehicle can also be configured as an armoured ambulance. Bushmaster's flexibility allows it to be adapted for combat support and tactical logistics roles.

### > Deployment

Bushmaster is air transportable by C-130 aircraft or CH 53E helicopter. It has integrated lift points for simple slinging aboard ship for sea transport and a range of recovery points.

### > Superior personnel protection

Protecting troops in battle zones and getting them into position are key goals for all military commanders.

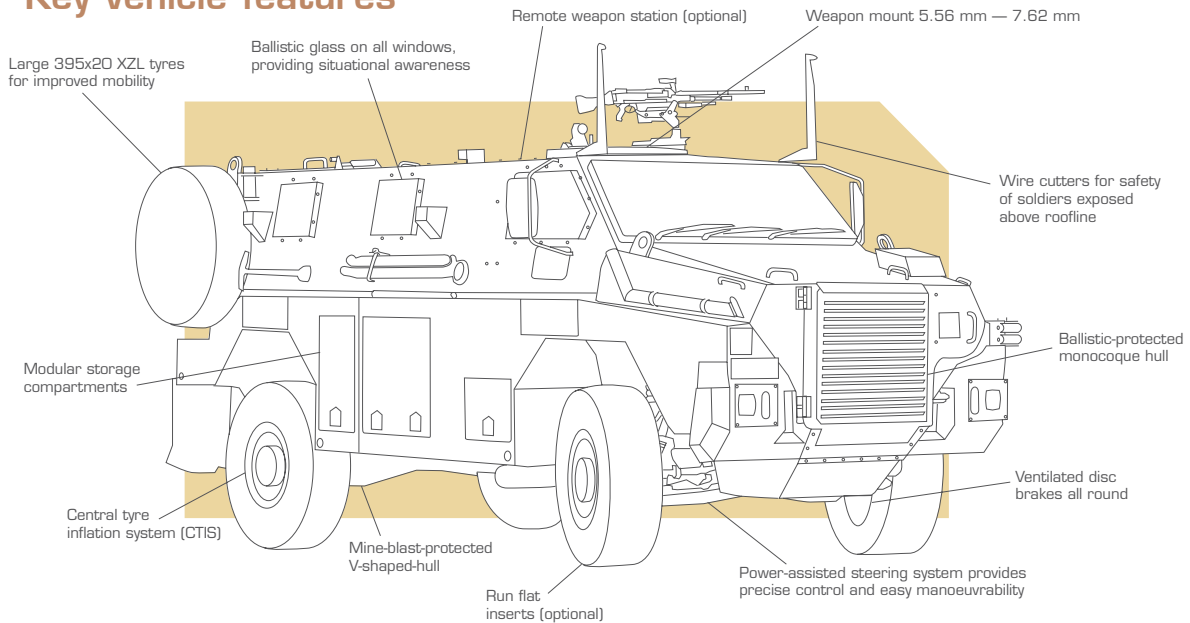
Bushmaster was specifically designed by Thales Australia to meet the Australian Army's demands for a highly manoeuvrable, safe infantry mobility vehicle.

Delivering exceptional troop protection and comfort, Bushmaster has the power and equipment to move troops speedily and safely over a wide range of terrains and environments.

Its integrated mine-blast-protected monocoque hull can be configured to provide a range of military vehicle options. The Thales Australia design ensures that Bushmaster can be easily maintained and serviced virtually anywhere in the world.

\*Jointly designed with Timoney Technology Ltd.

## Key vehicle features

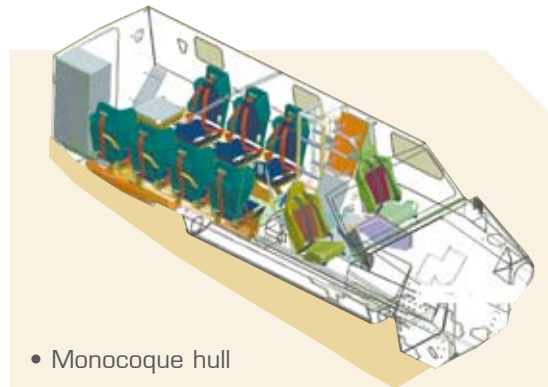


Bushmaster’s integrated high hardness and transparent armour, specialist welding and the shaping of its monocoque hull, protect troops and mechanical components from land mines and other blast weapons as well as small arms and artillery fragments.

The integrated v-shaped armoured hull protects occupants by deflecting mine blasts anywhere under the vehicle. Protection is also provided from side blasts from improvised and roadside explosive devices (IED) and fragment shaped projectiles (FSP). Detailed levels of ballistic and mine blast protection available upon request.

Bushmaster’s fuel and hydraulic tanks are positioned outside the crew’s compartment to ensure that the crew is protected from possible fires resulting from blasts or ballistic attack. There is also a protected emergency fuel tank to ensure Bushmaster can keep moving in dangerous situations.

The advanced wrap-around seating and personnel harness designs provide excellent protection from spinal and other injuries that could result from blast or collision shocks,



- Monocoque hull
- High capacity airconditioning maximises crew comfort
- Ergonomically designed seating and full harness seat belts provide occupants with maximum protection
- Mine-blast-protected v-shaped hull (below).



as well as offering exceptional comfort to crews over long journeys across rugged terrains.

## Crew comfort

Bushmaster carries up to ten troops—including the driver—in spacious, airconditioned comfort to minimise trip fatigue. Travel comfort and safety are essential for delivering battle ready troops in the field.

The crew's compartment can be configured to carry up to eight troops seated face to face, while the driver and one passenger sit in conventional truck cabin positions. The seating is ergonomically designed for protection, comfort and fatigue reduction.

Seating provides support and protection for personnel under extreme braking conditions and from collision or blast shocks, as well as in rough terrain. The crew compartment is spacious, easily accommodating 95th percentile males in comfort.

The cabin is also fully airconditioned ensuring that the crew's comfort is maintained in the vast range of conditions in which Bushmaster can operate.

Bushmaster's seating, space, climate control and generous windows ensure occupants are safe, fresh and situationally aware in all field conditions.



## > Superior vehicle performance

Bushmaster moves quickly over long distances at convoy speeds and can manoeuvre tactically at speed across a wide range of challenging terrains—from deserts to jungle to snow. Its capabilities have been proven in deployments during challenging operations in East Timor and Iraq.

Its large fuel tanks and supplies and weapons storage can maintain Bushmaster over 500 miles (800 km) at sustained on-road speeds up to 65 mph (110 km/h). Bushmaster's flexible storage configurations can support independent expeditionary manoeuvres for up to three days.

The vehicle has exceptional on and offroad performance capabilities. A high power to weight ratio coupled with fully independent coil spring suspension, full-time four wheel drive and high ground clearance with critical angles make Bushmaster a nimble offroad vehicle. This mobility is further enhanced by selectable differential locks—front, centre and rear. A dash-mounted pushbutton-controlled central tyre inflation system allows tyre pressures to be set to match varying terrain. Optional 'run-flat' inserts ensure mobility is maintained in the event of tyre damage.

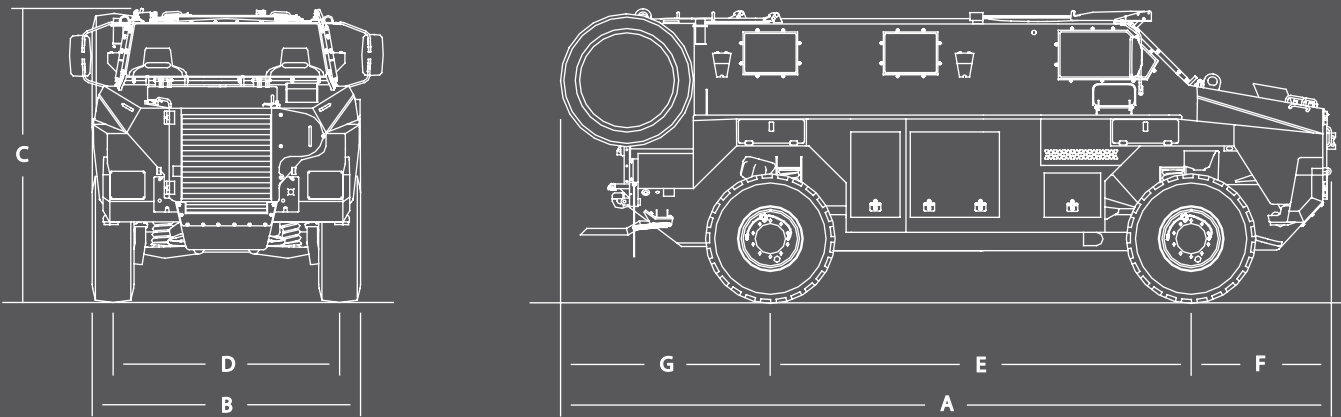
Bushmaster is powered by a six-cylinder, turbo-charged Caterpillar diesel engine that develops up to 330 hp (246 kW) at a low 2200 rpm, generating extraordinary low-end torque in the most challenging terrains.

The power-assisted steering and pushbutton ZF or Allison automatic transmission combine with a superior suspension package to provide the driver with exceptional control in a vast range of conditions and terrains.



# BUSHMASTER

## VEHICLE SPECIFICATIONS



<b>A Overall length</b>	282.8 in	<b>Total external volume storage (useable)</b>	89.7 cu ft
<b>B Width</b>	97.6 in	<b>Turning circle kerb to kerb</b>	58.1 ft
<b>C Overall height</b>	105.1 in	<b>Ground clearance</b>	Under hull 17 in
<b>D Track</b>	82.7 in	<b>Speed</b>	governed to 65 mph cruise 65 mph
<b>E Wheelbase</b>	153.6 in	<b>Maximum road range (at gross weight)</b>	up to 500 miles
<b>F Front overhang</b>	53.3 in	<b>Fording</b>	no preparation 47 in
<b>G Rear overhang</b>	76.8 in	<b>Gradient</b>	up to 60%
<b>Crew</b>	Up to ten including driver	<b>Approach angle</b>	40°
<b>Configuration</b>	4 x 4 full-time	<b>Departure angle</b>	38°
<b>Weight (GVW)</b>	33,070 lb	<b>Side slope</b>	static 36°
<b>Kerb weight</b>	26,455 lb	<b>Vertical obstacle</b>	18 in
<b>Total internal volume (useable)</b>	395.5 cu ft		

**Engine**

Caterpillar 3126E 7.2 L six cylinder turbocharged and air-to-air after-cooled diesel developing up to 330 hp @ 2200 rpm and torque of 860 ft lb @ 1440 rpm, with self-diagnosis capability

**Transmission**

ZF 6HP502 ECOMAT G2 providing six forward speeds, one reverse and convertor lock up. Allison MD 3066 (optional)

**Transfer case**

Fabco TC170 1.1 single speed 50/50 transfer case with diff. and air-operated diff. lock. Ratio 1:1:1 reduction

**Diff locks**

Air operated front, centre and rear

**Towing**

Recovery of other vehicle up to 26,455 lb  
Recovery points—front and rear  
Electric/pneumatic connections—front and rear

**Suspension and axles**

Arvin Meritor 4000 series fully independent, progressive coil spring with upper control arm and lower wishbone 5.186:1 total reduction

**Steering** Power assisted

**Brakes**

Dual circuit air operated, outboard discs on all four wheels

**Tyres**

Low MMP Michelin 395/85 R20 with bead locks

**Central Tyre Inflation System (CTIS)**

Dual channel, four settings

**Fuel capacity** 82 gal + 5 gal (internally protected)

**Electrical system**

24 V DC, alternator 140 amp 24 V (fully redundant), battery two bank dual configuration (4 x 12 V) CCA 600 amps

**Environmental**

18.8 hp cooling split front and rear system.  
8.1 hp heating

**Protection**

Bushmaster provides a unique level of protection and survivability through its mobility, monocoque vee-shaped armoured hull, and passive and active protection measures. Detailed levels of ballistic and mine blast protection available upon request.

**Options**

- Run flat inserts
- NBC / CBR
- 56 gal water tank
- Swing mount
- 10-ton hydraulic winch
- Remote weapon station
- Higher capacity alternators.

**Weapon mounts**

- Up to three weapon mounts, including one remote weapon station
- Main gun ring or RWS capable of mounting 12.7 mm machine gun or 40 mm AGL.



## > Global total life serviceability

Bushmaster's modular design facilitates rapid in-field repair or reconfiguration of all major components. The engine, transmission and power pack can be removed and refitted in less than three hours. The design also provides for a long operational life with the ability to apply upgrades and technology insertions. Support from a highly reliable and globally available maintenance and repair network ensures Bushmaster delivers low lifecycle costs.

Bushmaster's long life monocoque armoured hull is combined with globally available and sustainable



## Reliability and global sustainability

The Thales Australia design and global support network ensure Bushmaster achieves a long and highly effective life cycle with minimal maintenance down time, no matter where it operates.

Bushmaster delivers exceptional power, mobility and survivability over a vast range of offroad conditions. It is also easily deployable in all strategic locations.

## Field tested for reliability

Bushmaster underwent five phases of reliability development testing covering more than 150,000 miles (250,000 km). The rugged and varied Australian terrain together with Australian troop commitments in Asian, African and Middle Eastern theatres provided an immense range of experiences to develop Bushmaster's unique flexibility.

Bushmaster now has an enviable record of service in today's demanding and varied battlefield conditions.

commercial off-the-shelf driveline components from the Caterpillar power plant, ZF or Allison automatic transmission, Meritor axles and Fabco transfer case. All components ensure global total life serviceability.

Underpinning Thales Australia's commitment to total life serviceability is its service and support agreement with the Oshkosh Truck Corporation. This agreement has established a comprehensive and proven approach to logistics support of Thales Australia specialist vehicles worldwide.

The service agreement facilitates parts supply and technical support through an extensive global network of manufacturer and dealer technical representatives. This includes manufacturer field service representatives; warehousing, inventory management, packaging and distribution support of spare parts; operator and maintainer training; and the development, distribution and support of technical manuals.