

THALES

www.thalesgroup.com/microelectronics

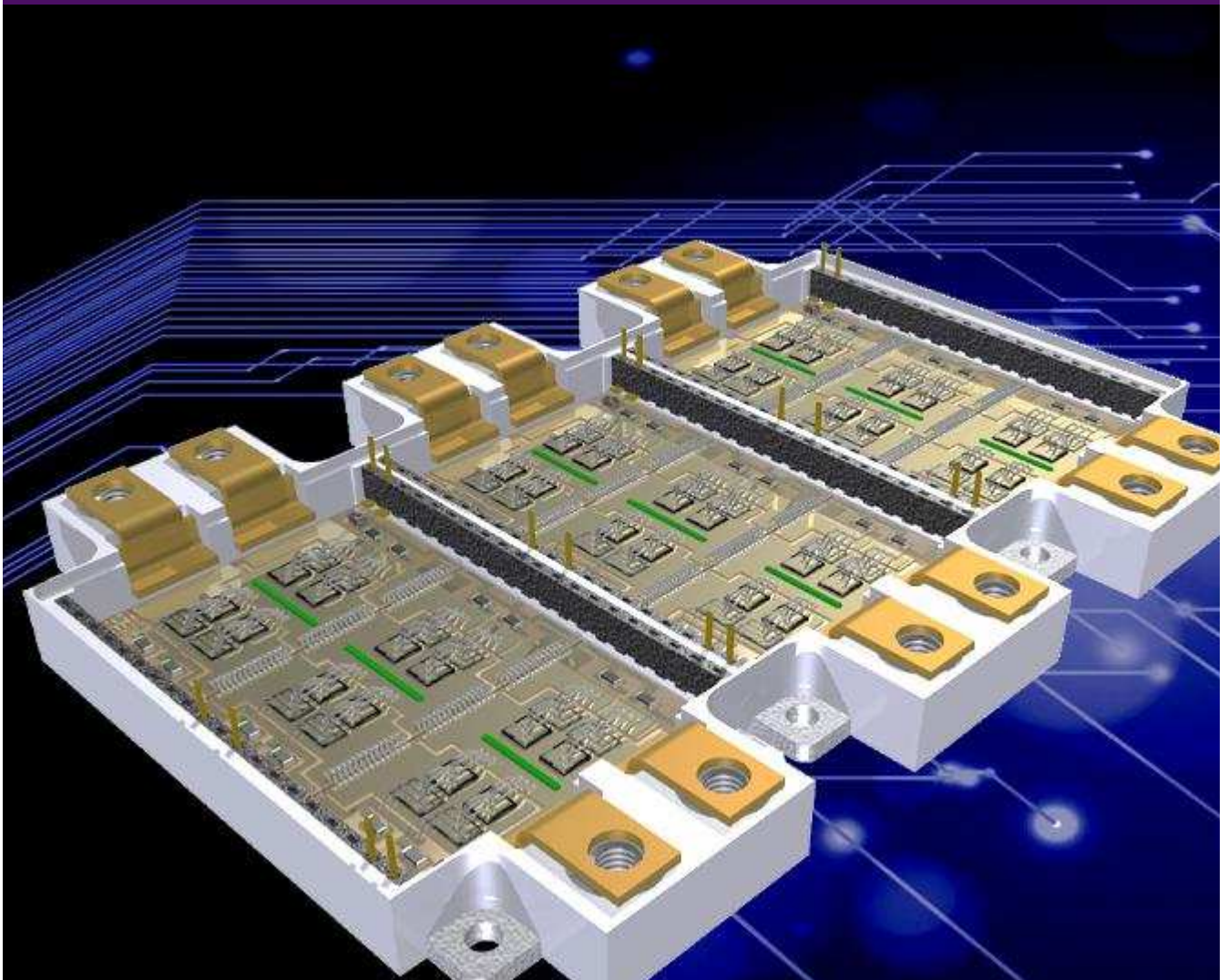
CONSULT US TO GET
YOUR OWN
CUSTOM MODULE!

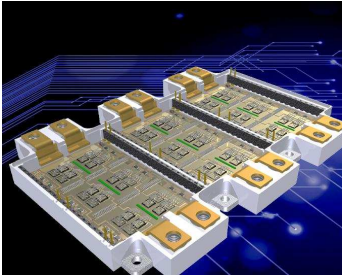
FUNCTIONAL DESCRIPTION

Harsh environment three-phased power motor-driving module

Thales Microelectronics

150kW power inverter





Thales Microelectronics

150kW power inverter

FEATURES & ASSETS

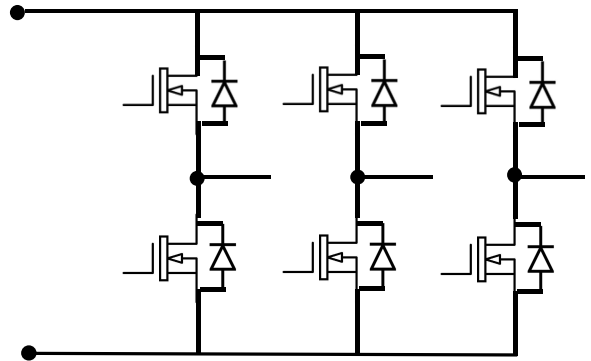
- Input voltage 1200Vdc
- Output current 400A
- Junction Temperature up to 200°C
- Output power up to 150kW
- Dimensions: 175mm x 125mm x 15mm

TECHNOLOGIES

- 1200V Silicon Carbide Mosfet
- Hi-thermal conductive substrate (Si_3N_4)
- Al SiC baseplate (low CTE including pin-fin structure)

SPECIFIC PROCESSES

- Ag Sintering die-attach
- Ultra low-void vacuum reflow
- High temperature brazing
- CucorAl 200 to 500 μm wire-bonding
- High temperature silicone gel

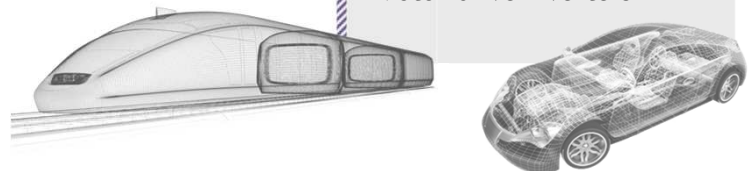


APPLICATION FIELDS

Automotive electronics
Powertrain (hybrid vehicle)

Commercial avionics
Electric braking systems
Green taxing

Railways
Motor-drive inverters



THALES

Thales Microelectronics S.A.S - Z.A. Piquet - 35370 ETRELLES - France.
contact.tmi@fr.thalesgroup.com / Tel. +33 (0)2 23 55 40 00 - Fax. +33 (0)2 23 55 44 73